
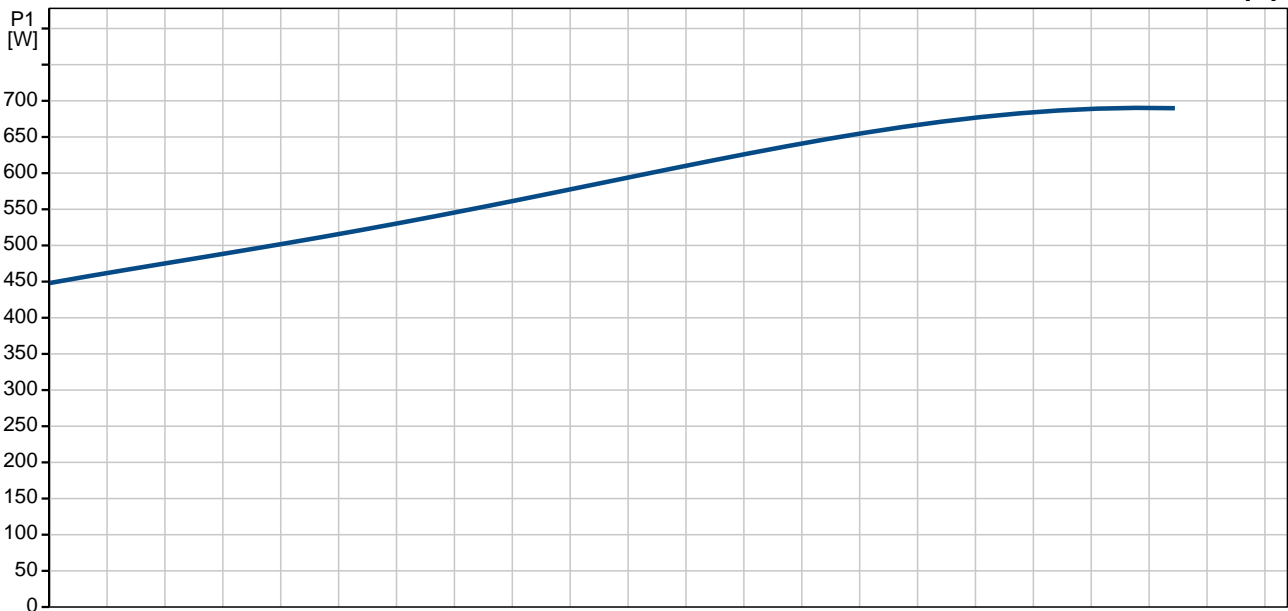
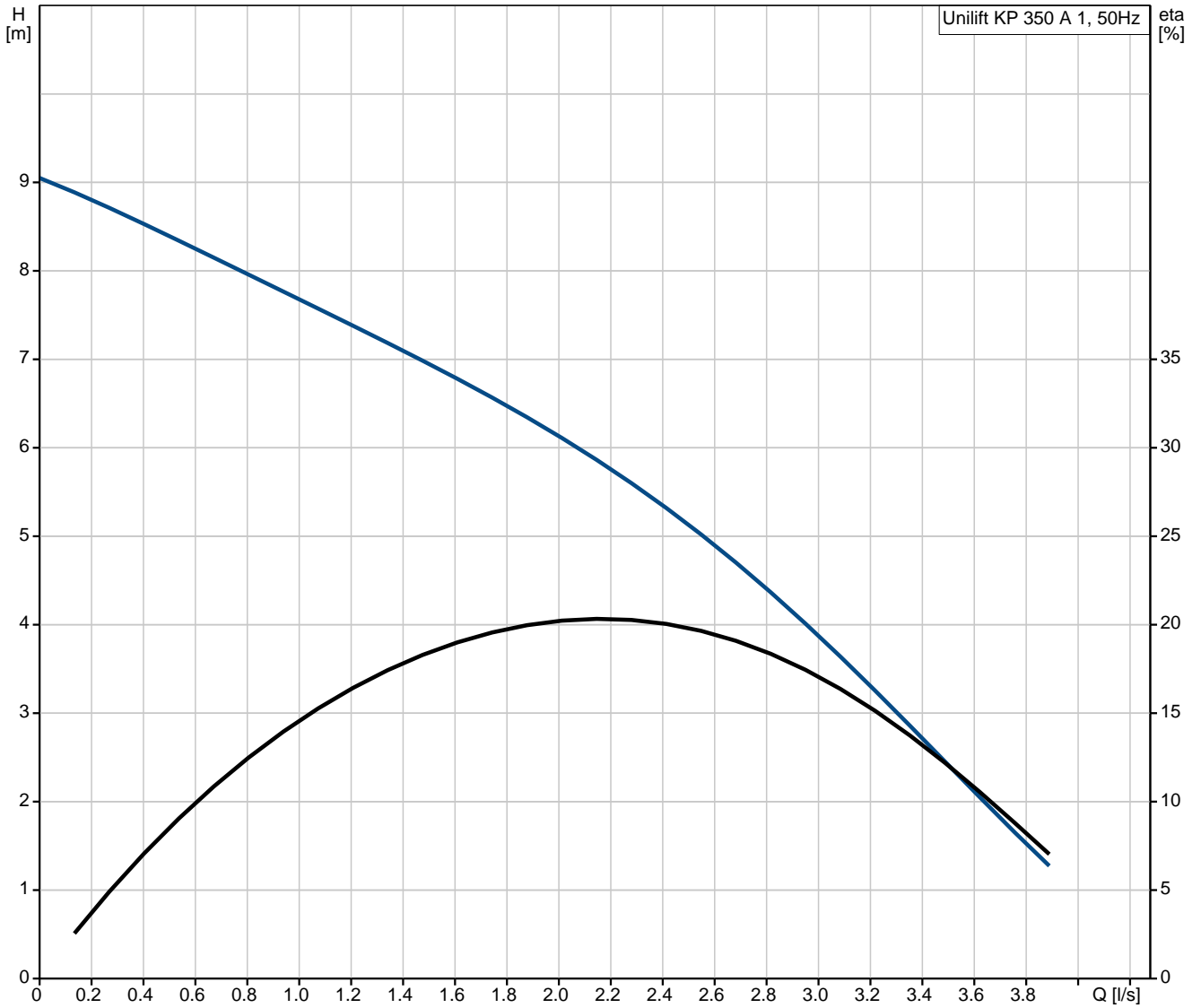


Position	Qty.	Description
	1	<p>Unilift KP 350 A 1</p>  <p style="text-align: center;">Note! Product picture may differ from actual product</p> <p>Product No.: 013N4700 Submersible drainage pump</p> <p>Vertical single-stage stainless steel submersible pump with vertical discharge port and integrated submersible 1-phase canned motor in insulation class F with thermal overload protection.</p> <p>The pump is fitted with suction strainer and a carrying handle and is supplied with a 5 m mains cable and float switch for automatic start and stop.</p> <p>The impeller is a semi-open impeller for 10 mm free passage suitable for pumping groundwater, surface water, rain water and similar liquids.</p> <p>The pump has a double shaft seal consisting of two lip seals with grease in-between.</p> <p>The pump has an outer casing ensuring continuous cooling of the motor by the pumped liquid. The rotor shaft operates in two maintenance-free carbon bearings cooled by the pumped liquid.</p> <p>The motor is filled with a non-toxic motor liquid.</p> <p>Liquid: Pumped liquid: Any Newtonian liquid Liquid temperature range: 0 .. 50 °C Density: 998.2 kg/m³</p> <p>Technical: Maximum particle size: 10 mm</p> <p>Materials: Pump housing: Stainless steel DIN W.-Nr. 1.4301 AISI 304 Impeller: Stainless steel DIN W.-Nr. 1.4031 AISI 304</p>

Position	Qty.	Description
		<p>Installation:</p> <p>Pump outlet: Rp 1 1/4</p> <p>Maximum installation depth: 2 m</p> <p>Electrical data:</p> <p>Power input - P1: 700 W</p> <p>C run: 10 µF</p> <p>Mains frequency: 50 Hz</p> <p>Rated voltage: 1 x 220-240 V</p> <p>Rated current: 3.2 A</p> <p>Capacitor size - run: 10 µF/400 V</p> <p>Enclosure class (IEC 34-5): IP68</p> <p>Insulation class (IEC 85): F</p> <p>Length of cable: 5 m</p> <p>Type of cable plug: AU</p> <p>Others:</p> <p>Net weight: 7.3 kg</p> <p>Gross weight: 7.7 kg</p> <p>Shipping volume: 0.013 m³</p>

013N4700 Unilift KP 350 A 1 50 Hz



Description	Value
-------------	-------

General information:

Product name:	Unilift KP 350 A 1
Product No:	013N4700
EAN number:	5700393449404
Price:	On request

Technical:

Max flow:	3.89 l/s
Head max:	9 m
Maximum particle size:	10 mm
Model:	A

Materials:

Pump housing:	Stainless steel DIN W.-Nr. 1.4301 AISI 304
Impeller:	Stainless steel DIN W.-Nr. 1.4031 AISI 304

Installation:

Pump outlet:	Rp 1 1/4
Maximum installation depth:	2 m

Liquid:

Pumped liquid:	Any Newtonian liquid
Liquid temperature range:	0 .. 50 °C
Density:	998.2 kg/m ³

Electrical data:

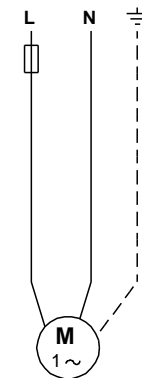
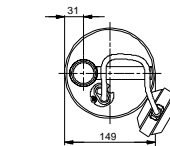
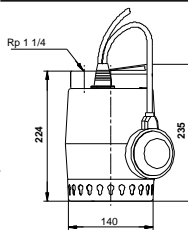
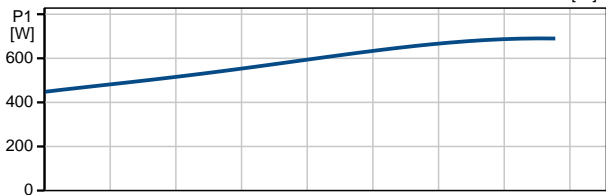
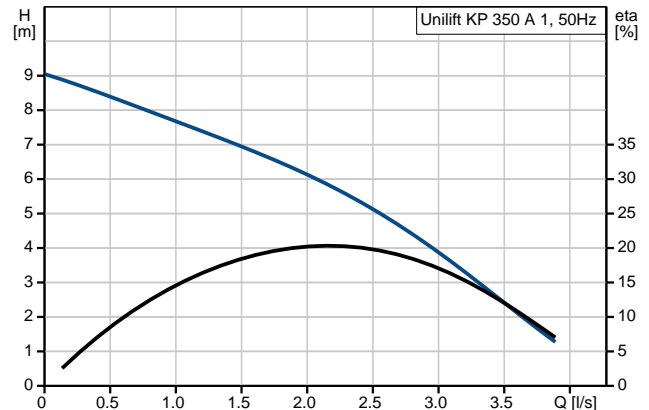
Power input - P1:	700 W
C run:	10 µF
Mains frequency:	50 Hz
Rated voltage:	1 x 220-240 V
Rated current:	3.2 A
Capacitor size - run:	10 µF/400 V
Enclosure class (IEC 34-5):	IP68
Insulation class (IEC 85):	F
Motor protec:	CONTACT
Thermal protec:	internal
Length of cable:	5 m
Type of cable plug:	AU

Controls:

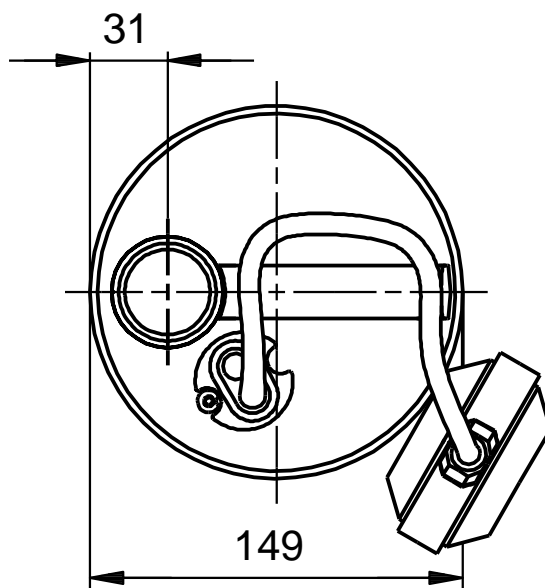
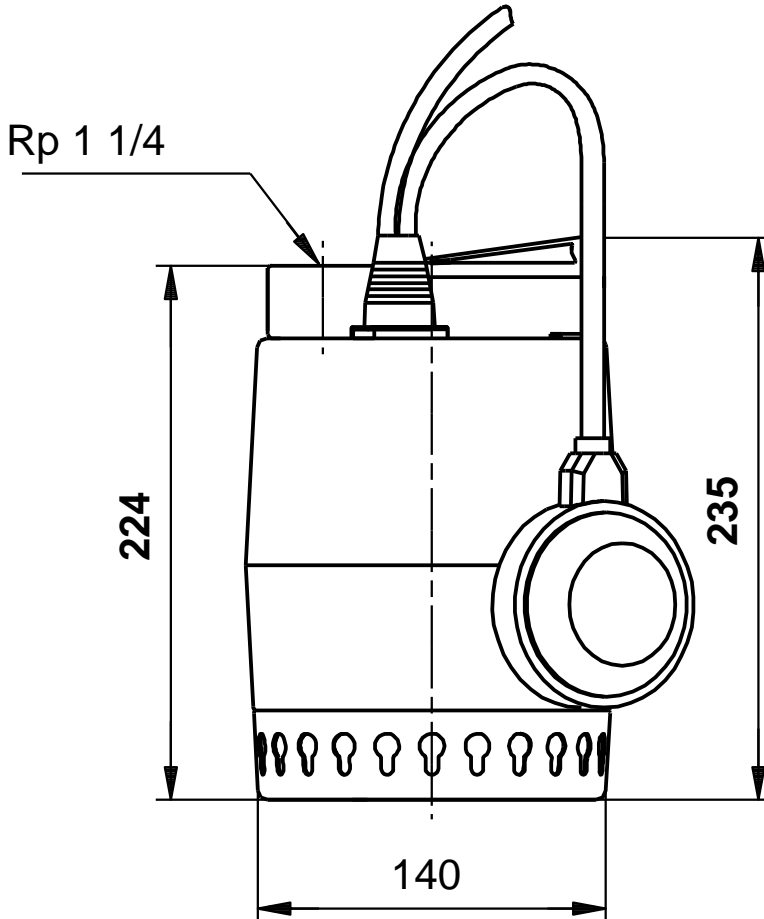
Level switch:	float switch
---------------	--------------

Others:

Net weight:	7.3 kg
Gross weight:	7.7 kg
Shipping volume:	0.013 m ³

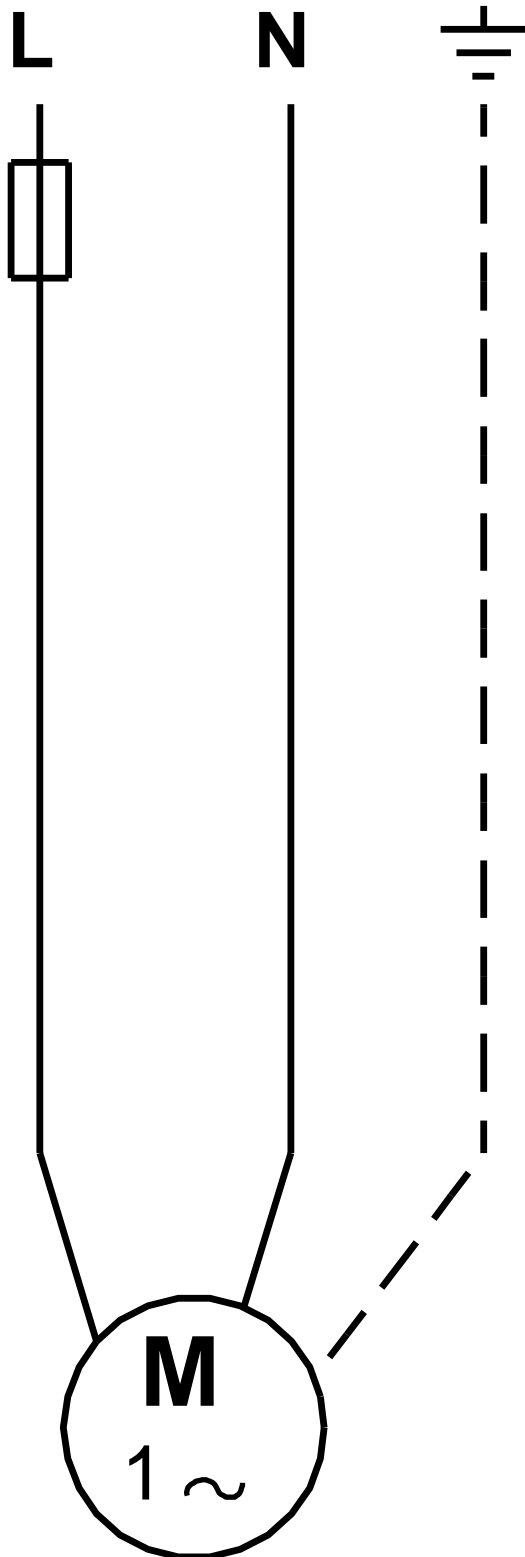


013N4700 Unilift KP 350 A 1 50 Hz



Note! All units are in [mm] unless others are stated.
Disclaimer: This simplified dimensional drawing does not show all details.

013N4700 Unilift KP 350 A 1 50 Hz



Note! All units are in [mm] unless others are stated.